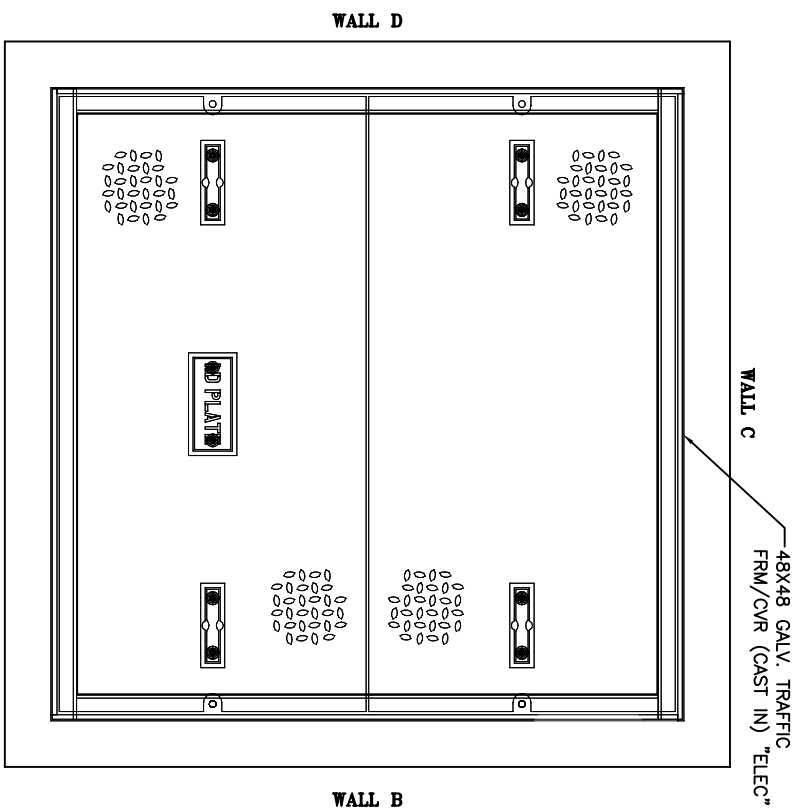
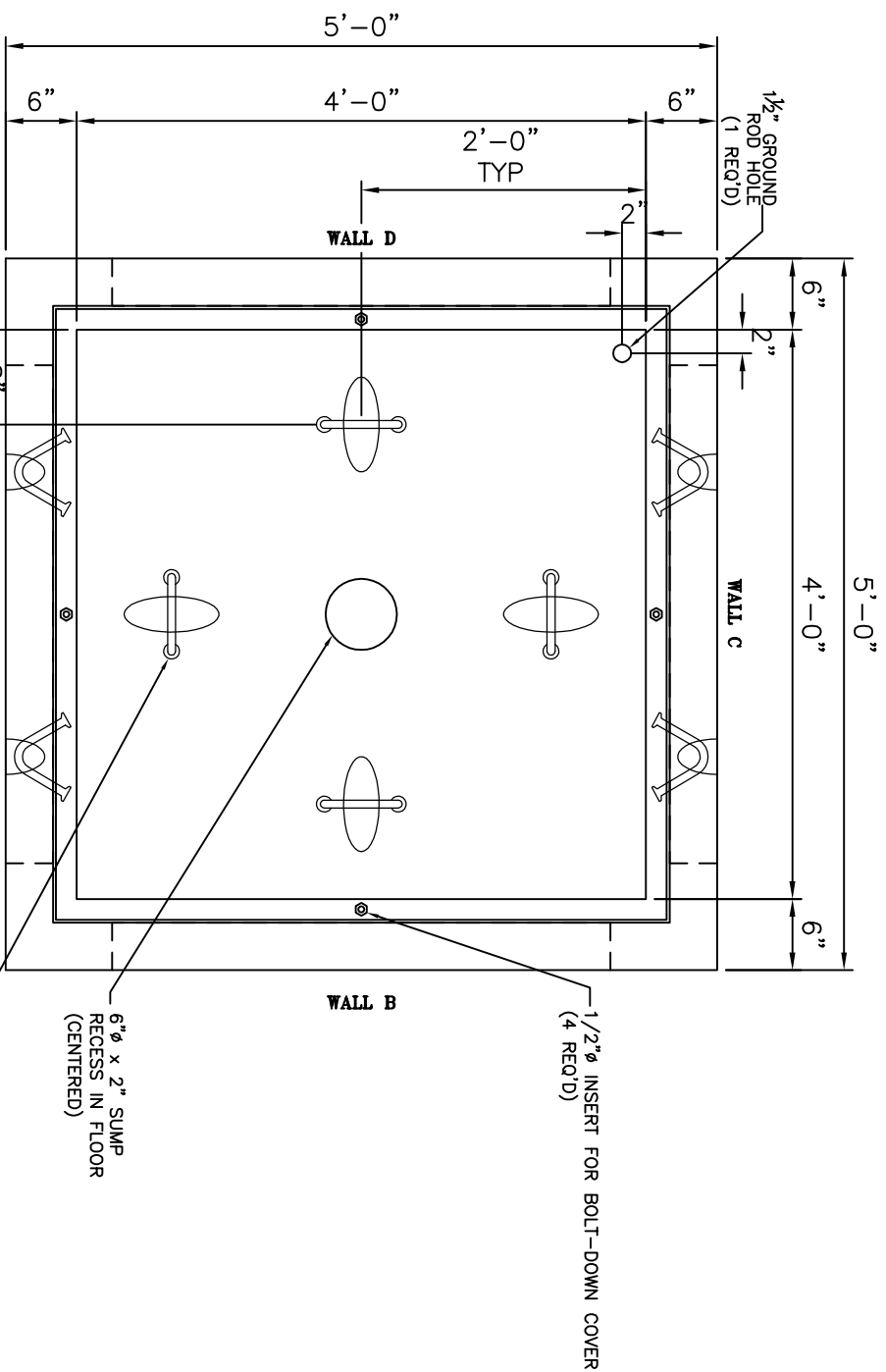


4'-0" x 4'-0" x 4'-0" PULL BOX

WEIGHT: APPROXIMATELY 5,884 lbs EACH

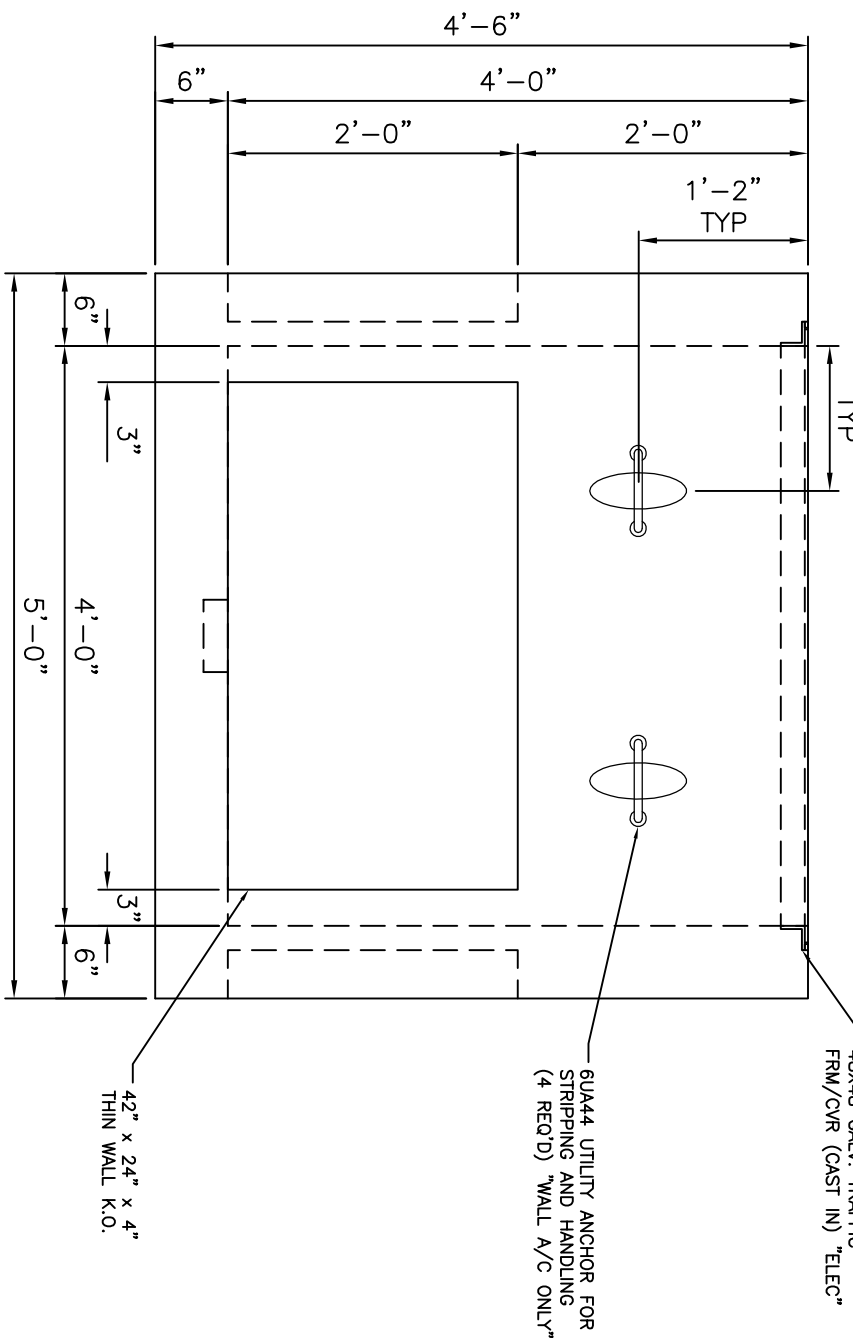
GENERAL NOTES:

- DESIGN LOAD:** AASHTO H-20-44, CONTINUOUS TRAFFIC (FULL H-20).
- STRUCTURAL CONCRETE:** CONCRETE SHALL BE 6000 PSI MIN. CEMENT SHALL BE ASTM C150.
- REINFORCING STEEL:** REINFORCING STEEL SHALL BE ASTM A-615 GRADE 60UNLESS OTHERWISE NOTED. DIMENSIONS FOR FABRICATED REINFORCING STEEL ARE OUT TO OUT. ALL OTHER DIMENSIONS RELATING TO REINFORCING STEEL ARE TO BAR CENTERS UNLESS OTHERWISE NOTED.
- FINISH OF CONCRETE:** BOTTOM OF BASE SHALL BE A STEEL TROWEL FINISH. ALL OTHER SURFACES SHALL BE AN INDUSTRIAL FORM FINISH.

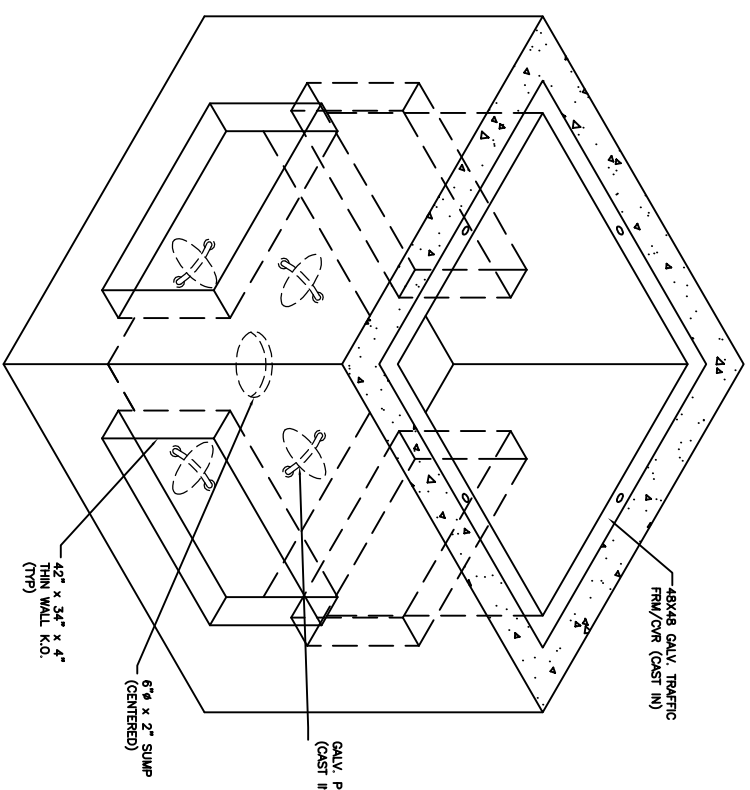


PLAN VIEW
SCALE: 1 1/2" = 1'-0"

PLAN VIEW W/ FRM & CVR
SCALE: 1 1/2" = 1'-0"



48X48 GALV. TRAFFIC FRM/CVR (CAST IN) "ELEC"
 6" GUAA4 UTILITY ANCHOR FOR PULLING (4 REQ'D)
 42" x 24" x 4" THIN WALL K.O.
 6" GUAA4 UTILITY ANCHOR FOR STRIPPING AND HANDLING (4 REQ'D) "WALL A/C ONLY"



ISOMETRIC VIEW
N.T.S.

APPROVED BY: _____
 COMPANY: _____
 DATE: _____

TYPE #	070-
PROJECT #	130003
DRAWING NUMBER	01
DRAWING CONTENTS: 4'-0" x 4'-0" x 4'-0" PULL BOX	
PROJECT NAME:	WASKEY
CLIENT:	STANDARD PULL BOX
CONTACT NAME:	TBD
CONTACT PHONE:	#####

WASKEY
 SINCE 1955 PRECAST CONCRETE PRODUCTS

2651 N. FLANNERY ROAD
 BATON ROUGE, LA 70814
 PH: (225) 926-5762
 FAX: (225) 926-5766
 www.waskey.com

DRWN. BY:	D. GUEDRY		
CHKD. BY:			
APPR. BY:			
DATE:	08-10-13		
NO.	DATE	REVISION DESCRIPTION	BY